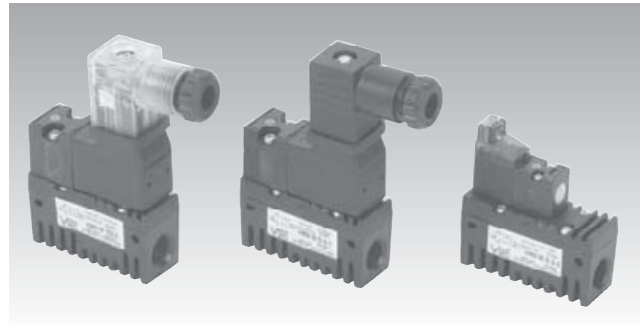
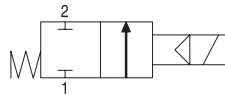


VMS18D Control Valves

Features

2/2 way solenoid valve G1/8" (for air control) indirectly operated with spring return. This valve are compact and can control high flow rate of air.



Order no.

VMS18D - 3 - 3

① ② ③

① Model

- **VMS18D(Diaphragm Valve)**

② Voltage

- 1 – AC110V
- 2 – AC220V
- **3 – DC24V**

③ Solenoid terminal

- 1 – DIN type without lead wire
- 2 – DIN type with lamp without lead wire
- **3 – Connector type with 0,3m lead wire & lamp : DC24V**

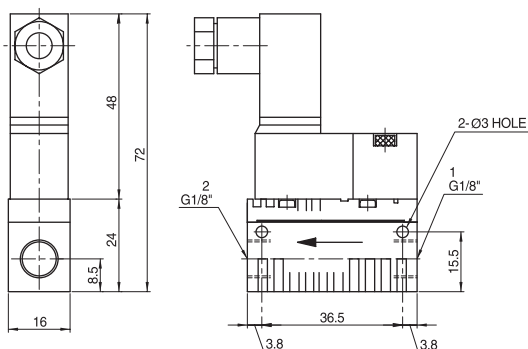
※ Remark : Connector type control valve DC24V Only.

Operating specifications

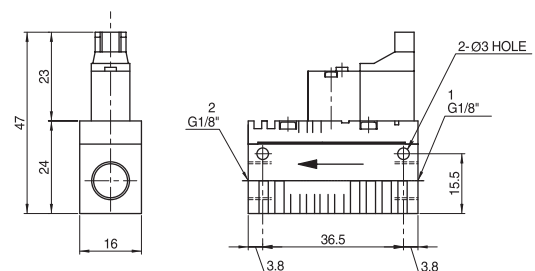
Type	VMS 18D
Connection	G 1/8"
Normal flow	516 NI/min
Pressure range	2,5 ~ 7bar
Temperature range	0°C ~ + 60°C
Materials	Ni, Al, SS, POM, CuZn, NBR, PA66, PUR, PPS
Standard voltages	• DC : 24V • AC : 110V, 220V – 50/60Hz
Power consumption	0,6W , 1,3W
Weight	20g

Dimensional Information

DIN type



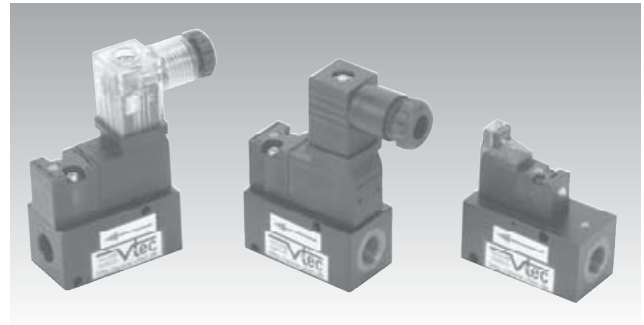
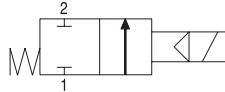
Connector type



VMS18 Control Valves

Features

2/2 way solenoid valve G1/8" (for air control) indirectly operated with spring return.
This valve are compact and can control high flow rate of air.



Order no.

VMS18 - 3 - 3

① ② ③

① Model

- **VMS18(Piston Valve)**

② Voltage

- | | |
|-----|----------|
| 1 | - AC110V |
| 2 | - AC220V |
| • 3 | - DC24V |

③ Solenoid terminal

- | | |
|-----|---|
| 1 | - DIN type without lead wire |
| 2 | - DIN type with lamp without lead wire |
| • 3 | - Connector type with 0,3m lead wire & lamp : DC24V |

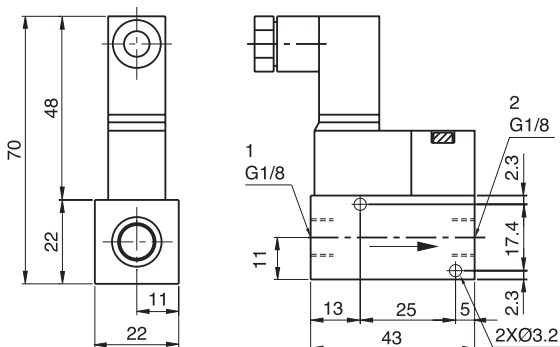
※ Remark : Connector type control valve DC24V Only.

Operating specifications

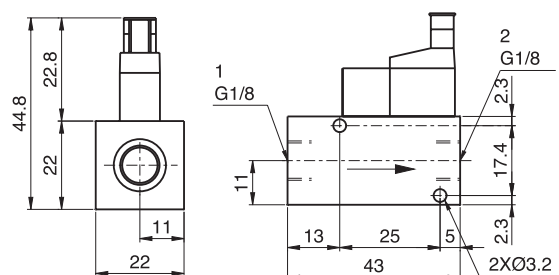
Type	VMS 18
Connection	G 1/8"
Normal flow	1230 NI/min
Pressure range	2,5 ~ 7bar
Temperature range	- 18°C ~ + 65°C
Materials	Ni, Al, SS, POM, CuZn, NBR, PPS
Standard voltages	• DC : 24V • AC : 110V, 220V – 50/60Hz
Power consumption	0,6W , 1,3W
Weight	60g

Dimensional Information

DIN type



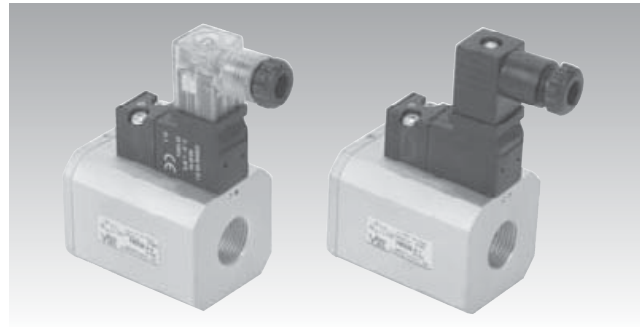
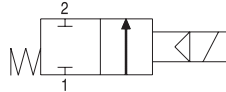
Connector type



VMS38 Control Valves

Features

2/2 way solenoid valve G1/8" (for air control) indirectly operated with spring return.
This valve are compact and can control high flow rate of air.



Order no.

VMS38 3 - 1

① ② ③

① Model

- **VMS38**

② Voltage

- 1 - AC110V
- 2 - AC220V
- **3 - DC24V**

③ Solenoid terminal

- 1 - DIN type without lead wire
- 2 - DIN type with lamp without lead wire

Operating specifications

Type	VMS 38
Connection	G 3/8"
Normal flow	1500 NI/min
Pressure range	2,5 ~ 7bar
Temperature range	- 18°C ~ + 65°C
Materials	Ni, Al, SS, POM, CuZn, NBR, PPS
Standard voltages	• DC : 24V • AC : 110V, 220V - 50/60Hz
Power consumption	0,6W , 1,3W
Weight	220g

Dimensional Information

